

Embedded IoT Box PC

Fanless Embedded IoT Box PC, robust housing with Intel® SkyLake and Kaby Lake CPU, ULV processor for the space-limited space applications.



Support Industrial I/O port



Internal mini-PCIe socket support optional variety of Wi-Fi / 3G connectivity

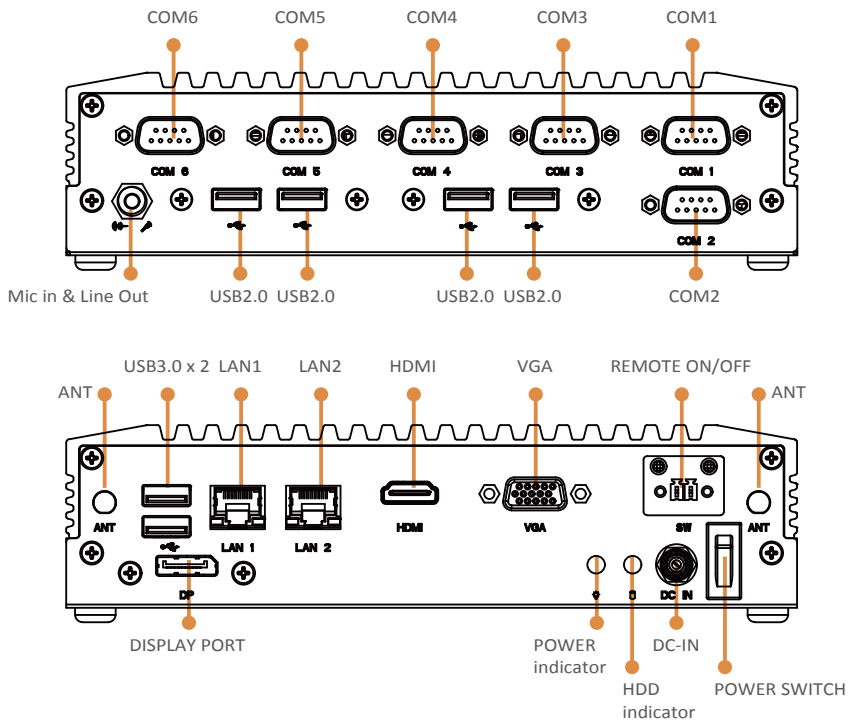


Support Windows / Linux

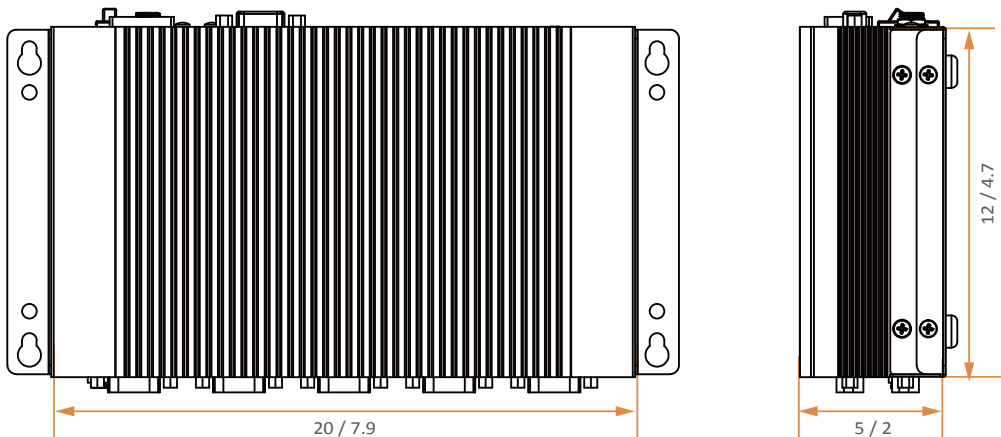


Support rich I / O port

I/O Interface



Dimensions (cm / inch)



Specifications

Model Name	BPC90 IoT BoxPC		
Main Board	CPU	SkyLake I7-6500U (Dual Core, 4M Cache, up to 3.10 GHz) I5-6300U (Dual Core, 3M Cache, up to 3.00 GHz) I5-6200U (Dual Core, 3M Cache, up to 2.80 GHz) I3-6100U (Dual Core, 3M Cache, up to 2.30 GHz) Kaby Lake I7-7500U (Dual Core, 4M Cache, up to 3.50 GHz) I5-7300U (Dual Core, 3M Cache, up to 3.50 GHz) I3-7100U (Dual Core, 3M Cache, 2.40 GHz) Celeron 3965U (Dual Core, 2 MB Cache, 2.2 GHz)	
	System Memory	SO-DIMM DDR3L-1600 Up to 8GB	
	Graphic	SkyLake: Intel® HD Graphics 520 Kaby Lake: Intel® HD Graphics 620 / Intel® HD Graphics 610	
	Cooling Solution	Fanless	
	BIOS	AMI UEFI BIOS	
	O.S. Support	Windows 7 (Skylake only) / Windows 10 / Linux kernel 4.0+ & associated distributions	
	Storage	mSATA SSD HDD / SSD	Optional mSATA SSD Optional 2.5" HDD or 2.5" SSD x 1 (SATA 3.0 by cable)
	Front I/O Interface	COM 1	DB9 for RS232
COM 2		DB9 for RS485	
COM 3		DB9 for RS232	
COM 4		DB9 for RS232	
COM 5		DB9 for RS232	
COM 6		DB9 for RS232 (TX, RX Only)	
USB		USB 2.0 x 4	
Audio		Mic in & Line Out	
Rear I/O Interface	LAN	Gigabit Ethernet by RJ-45 x 2	
	USB	USB 3.0 x 2	
	Display Port	VGA x 1, HDMI x 1, DP x 1 (Optional)	
	Power Switch	Power On/Off Switch x 1	
	Remote Power Switch	Remote Power On/Off Switch x 1	
	LEDs	Power Status x 1, Storage x 1	
	DC-in	Locking Jack 9~28V DC input	
Others	Expansion Slot	mSATA socket x 1 Mini-PCIe socket x 1 for optional Wi-Fi or 3G / 4G LTE	
	Communication	Wireless LAN Module, mini PCIe Type (Optional)	
	Color	Black	
	Material	Top Cover: Aluminum Topt & Buttom Case: SECC	
	Certification	CE / FCC	
	Dimension (W x D x H)	20 x 12 x 5 cm (7.9 x 4.7 x 2 inch)	
	Net Weight	1.9 kg	
Environmental	Operating Temp.	-20 ~ 60°C (w/Industrial Grade SSD)	
	Shock Protection	SSD: 20G (0.5 ms, half sine wave, no damage)	
	Vibration Protection	Vibration protection w/ SSD condition: 0.5 Grms (Random, 5~800 Hz, no damage)	
	Storage Temperature	-40 ~ 85°C	
	Storage Humidity	10% ~ 90%RH (non-condensing)	
Optional Accessories	Mounting Mechanism	Wall mount kit	
	Power Adapter	19VDC / 65Watt, operating temp. 0~40°C	

EBN

EBN Technology Corp.

10F, No.90, Sec.1, Xintai 5th Rd., Xizhi Dist.,
New Taipei City 221, Taiwan (R.O.C.)

TEL: +886-2-2696 9292

FAX: +886-2-2696 9393

E-mail: sales@ebn.com.tw

www.ebn.com.tw