

Seamless Flat-bezel Fanless Multi-touch POS Terminal

High efficient touch POS terminal with seamless flat-bezel multi-touch screen offers the advantage of an easy to clean surface.

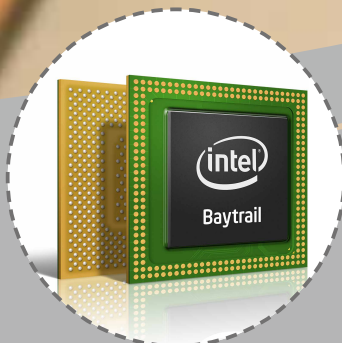
X-POS 755



Internal A/C adaptor with built-in cable management



Easy clean flat-bezel multi-touch screen and front panel IP65



Next generation Intel® Bay Trail platform with outstanding performance, 6.5x than Atom N270



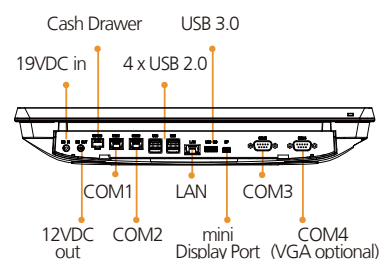
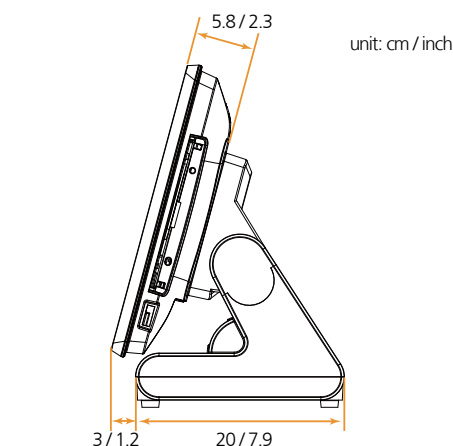
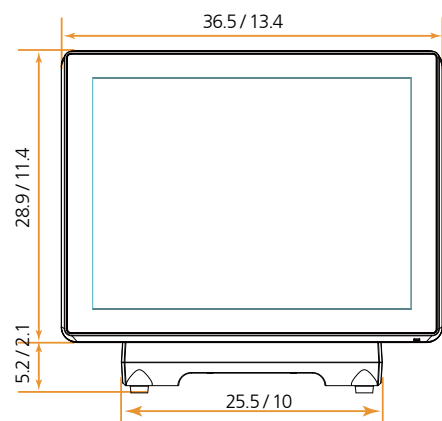
Support attached customer display / 10.1" 2nd display



Be nice for our earth. It was printed with soy ink

Specifications

Model Name	X-POS 755
Main Board	Intel® Bay Trail-Mobile/Desktop SoC Processor: - Celeron® N2930 (4 cores, up to 2.16 GHz, TDP 7.5 Watt) - Celeron® J1900 (4 cores, up to 2.42 GHz, TDP 10 Watt) System Memory SO-DIMM DDR3L 1067/1333MHz x 1, Max. 8GB Graphic Intel® HD Graphics Cooling Solution Fan-less BIOS Phoenix uEFI BIOS O.S. support Windows Embedded POSReady 7 Windows 7 Professional for Embedded Systems Windows Embedded 8.1 Industry Windows 10 Linux kernel 3.0+ & associated distributions Android 4.4.4 Compliant OS
Display	Size 15" 4:3 Industrial grade panel Brightness 250 nits (typ. w/o touch) Resolution 1024 x 768 Panel backlight type LED Front panel type Bezel-Free Tilt Angle 17° ~ 67° Touch Screen 10-points P-CAP type
Storage	Interface SATA2 (3.0Gb/S) x 2 HDD or SSD 2.5" SATA HDD / SSD x 1 mSATA slot x 1
I/O Ports	Serial Serial Port x 6, DB-9 Pin9 with RI/5V/12V selectable by BIOS. COM 1: RS-232, RJ-50 with convert to DB-9 cable COM 2: RS-232, RJ-50 with convert to DB-9 cable COM 3: RS-232/422/485, DB-9 COM 4: RS-232, DB-9, pin9 with RI/5V/12V selectable by BIOS (can be replace by VGA) COM 5: RS-232, Internal reserved for MSR COM 6: RS-232, Internal reserved for 2x20 VFD Customer Display USB USB 3.0 x 1 USB 2.0 x 4 LAN Gigabit Ethernet by RJ-45 x 1, support Wake on LAN Cash Drawer RJ-12 x 1, support 12V / 24V DC cash drawer Audio 2W Speaker x 2 VGA Optional DB15 x 1 for replace COM4, with 0/12VDC selectable by BIOS. Expansion Slot Half size Mini PCIe x 1 DP / HDMI Mini DisplayPort x 1 (supporting active converter cable to VGA, DVI, HDMI) DC-in 19VDC input, 2-pins radio jack x 1 DC-out 12VDC/1A output, 2-pins radio jack x 1
Others	Connectivity Wireless LAN module, half size mini PCIe type (Optional) Mounting mechanism Support VESA Mount Power Supply External adapter, 19VDC input, 65 / 90 Watt optional Color Black / White Material Plastic / Aluminum Indicator Power indicator x 1 Button Power Button x 1 Certifications FCC / CE / WEEE / RoHS Dimension (W X D X H) 36.5 x 23 x 34.1 cm (14.3 x 9 x 13.4 inch) Net Weight / Gross Weight 6.8 kg, 15.1 lb / 8.8 kg, 19.6 lb
Environmental	Operating Temperature 0°C ~ 40°C Storage Temperature -20°C ~ 60°C Humidity 20% to 85% RH (non-condensing)



Ordering information

Main Unit

Part No.	Description
XPOS75-5B-2930	Fanless Touch POS Terminal w/ 15" TFT LCD, Intel® Celeron® N2930 2.16 GHz
XPOS75-5B-1900	Fanless Touch POS Terminal w/ 15" TFT LCD, Intel® Celeron® J1900 2.42 GHz
T.B.D.	19VDC, 90Watt adapter
22100051	19VDC, 65Watt adapter (default)

Optional Accessories

Part No.	Description
Z1300059	Customer display: LCM Attached, 20 columns x 2 lines, RS-232 Type
Z1300060	Customer display: VFD Attached, 20 columns x 2 lines, RS-232 Type
Z0500022	MSR-Front Type, 3 Tracks, USB Type
Z0500023	MSR-Side Type, 3 Tracks, and i-Button, USB Type
A0400807	Wireless LAN: IEEE 802.11 b/g/n, USB Type
20900025	OS License: Windows® 7 Professional for Embedded Systems, English Version
20900028	OS License: Windows® Embedded Standard 7, English Version
20900029	OS License: Windows® Embedded POSReady 7, English Version
20900033	OS License: Windows® Embedded 8.1 Industr Pro Retail
T1002000	XPOS755-101TU 2ND DISPLAY BLACK W/TOUCH
T1003000	XPOS755-101U 2ND DISPLAY BLACK W/O TOUCH

Specifications are subject to change without notice. Issue Date: 2015 / 12

EBN

EBN Technology Corp.

10F, No.90, Sec.1, Xintai 5th Rd., Xizhi Dist.,
New Taipei City 221, Taiwan (R.O.C.)

TEL: +886-2-2696 9292

FAX: +886-2-2696 9393

E-mail: sales@ebn.com.tw

www.ebn.com.tw