

Ideal Touch Fanless Touch Panel PC

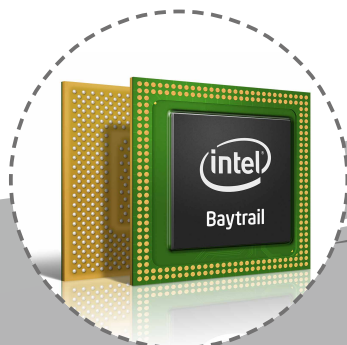
Fanless Touch Panel PC powered by next generation Intel® Bay Trail platform and featured variety I/O interface for industrial applications

X-PPC 752



FEATURES

- Built-in Intel® Bay Trail platform low power consumption and high performance solutions.
- Fanless all-in-one industrial Panel PC grade products fits in any critical environments.
- 15" TFT LCD with 5-wire resistive touch panel for friendly interface.
- Ultra compact design with VESA mounting for smart space management at anyplace.



Next generation Intel® Bay Trail platform with outstanding performance, 6.5x than Atom N270



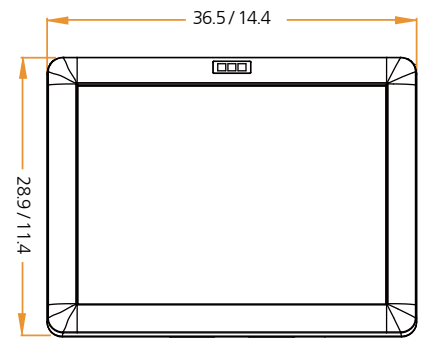
Fanless, silent, reliable and compact size design



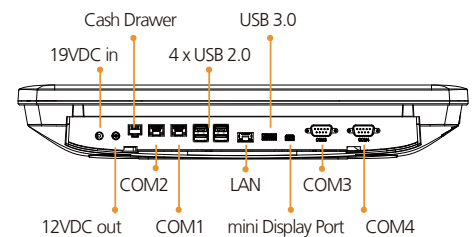
Pole ARM mountable with VESA standard

Specifications

Model Name	X-PPC 752		
Main Board	CPU	Intel® Bay Trail-Mobile/Desktop SoC Processor: - Celeron® N2930 (4 cores, up to 2.16 GHz, TDP 7.5 Watt) - Celeron® J1900 (4 cores, up to 2.42 GHz, TDP 10 Watt)	
	System Memory	SO-DIMM DDR3L 1067/1333MHz x 1, Max. 8GB	
	Graphic	Intel® HD Graphics	
	Cooling Solution	Fan-less	
	BIOS	Phoenix uEFI BIOS	
	O.S. support	Windows Embedded POSReady 7 Windows 7 Professional for Embedded Systems Windows Embedded 8.1 Industry Windows 10 Linux kernel 3.0+ & associated distributions Android 4.4.4 Compliant OS	
Display	Size	15" 4:3 Industrial grade panel	
	Brightness	250 nits (typ. w/o touch)	
	Resolution	1024 x 768	
	Panel backlight type	LED	
	Front panel type	With-Bezel	
	Tilt Angle	17° ~ 67°	
Storage	Touch Screen	5-wire resistive type	
	Interface	SATA2 (3.0Gb/s) x 2	
I/O Ports	HDD or SSD	2.5" SATA HDD / SSD x 1 mSATA slot x 1	
	Serial	Serial Port x 6, DB-9 Pin9 with RI/5V/12V selectable by BIOS. COM 1: RS-232, RJ-50 with convert to DB-9 cable COM 2: RS-232, RJ-50 with convert to DB-9 cable COM 3: RS-232/422/485, DB-9 COM 4: RS-232, DB-9, pin9 with RI/5V/12V selectable by BIOS (can be replace by VGA) COM 5: RS-232, Internal reserved for MSR COM 6: RS-232, Internal reserved for 2x20 VFD Customer Display	
	USB	USB 3.0 x 1 USB 2.0 x 4	
	LAN	Gigabit Ethernet by RJ-45 x 1, support Wake on LAN	
	Cash Drawer	RJ-12 x 1, support 12V / 24V DC cash drawer	
	Audio	2W Speaker x 2	
	VGA	Optional DB15 x 1 for replace COM4, with 0/12VDC selectable by BIOS.	
	Expansion Slot	Half size Mini PCIe x 1	
	DP / HDMI	Mini DisplayPort x 1 (supporting active converter cable to VGA, DVI, HDMI)	
	DC-in	19VDC input, 2-pins radio jack x 1	
	DC-out	12VDC/1A output, 2-pins radio jack x 1	
	Connectivity	Wireless LAN module, half size mini PCIe type (Optional)	
	Mounting mechanism	Support VESA Mount	
	Power Supply	External adapter, 19VDC input, 65 / 90 Watt optional	
	Color	Black / White	
	Material	Plastic / Aluminum	
	Certifications	FCC / CE / WEEE / RoHS	
	Dimension (W X D X H)	36.5 x 6 x 28.9 cm (14.4 x 2.4 x 11.4 inch)	
	Net Weight / Gross Weight	4.5 kg, 10 lb / 6 kg, 13.3 lb	
	Environmental	Operating Temperature	0°C ~ 40°C
		Storage Temperature	-20°C ~ 60°C
		Humidity	20% to 85% RH (non-condensing)



unit: cm / inch



Ordering information

Main Unit

Part No.	Description
XPPC72-5B-2930	Fanless Touch Panel PC w/ 15" TFT LCD, Intel® Celeron® N2930 2.16 GHz
XPPC72-5B-1900	Fanless Touch Panel PC w/ 15" TFT LCD, Intel® Celeron® J1900 2.42 GHz
T.B.D.	19VDC, 90Watt adapter
22100051	19VDC, 65Watt adapter (default)

Optional Accessories

Part No.	Description
Z1300059	Customer display: LCM Attached, 20 columns x 2 lines, RS-232 Type
Z1300060	Customer display: VFD Attached, 20 columns x 2 lines, RS-232 Type
Z0500022	MSR-Front Type, 3 Tracks, USB Type
Z0500023	MSR-Side Type, 3 Tracks, and i-Button, USB Type
A0400807	Wireless LAN: IEEE 802.11 b/g/n, USB Type
20900025	OS License: Windows® 7 Professional for Embedded Systems, English Version
20900028	OS License: Windows® Embedded Standard 7, English Version
20900029	OS License: Windows® Embedded POSReady 7, English Version
20900033	OS License: Windows® Embedded 8.1 Industr Pro Retail

Specifications are subject to change without notice. Issue Date: 2015 / 10

EBN

EBN Technology Corp.

10F, No.90, Sec.1, Xintai 5th Rd., Xizhi Dist.,
New Taipei City 221, Taiwan (R.O.C.)

TEL: +886-2-2696 9292

FAX: +886-2-2696 9393

E-mail: sales@ebn.com.tw

www.ebn.com.tw