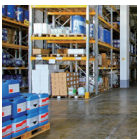
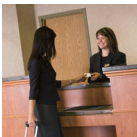
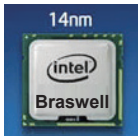


A new dynasty in PPC has begun with EBN Dynasty



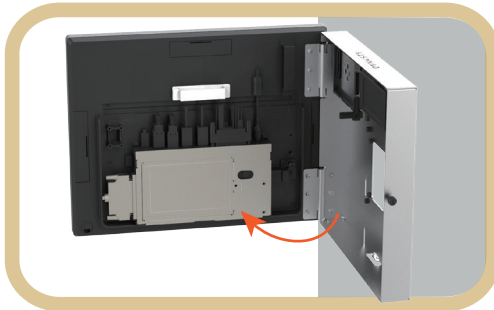
The era of legacy design rules in PPC is at an end with the birth of the EBN Dynasty. Revolution cannot simply explain the new order Dynasty brings to the market, the evolution against the industry standards starts here.



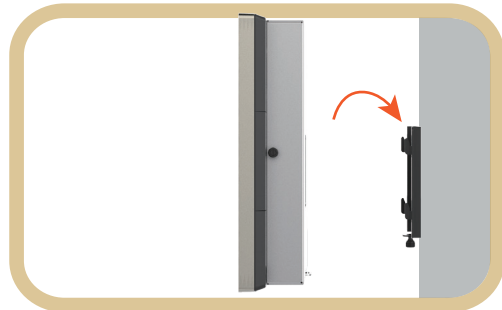
Key Features



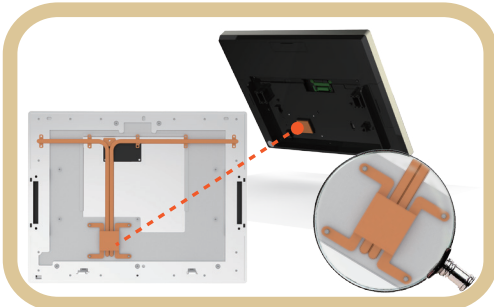
System reliability



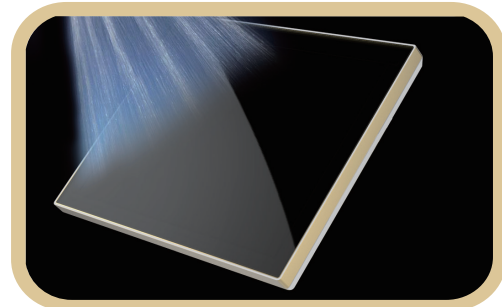
- VESA mount easy service.



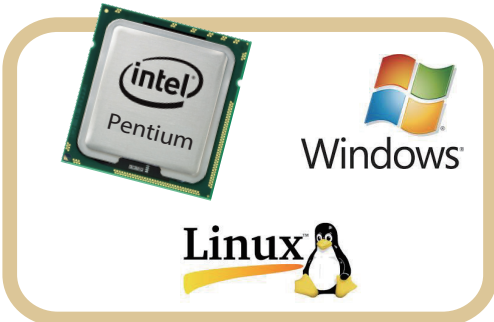
- VESA mount can be easily locked on the wall.



- Spring-forced thermal contact ensure the lowest resistance and prevent from motherboard warpage.



- IP-65 fulfilled by tight sealing between die-casting cover and cover lens.



- Fully WIN-TEL compatible, and Linux supported.



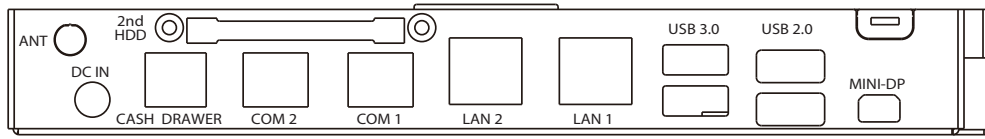
- High ESD immunity up to 15KV.

Specifications

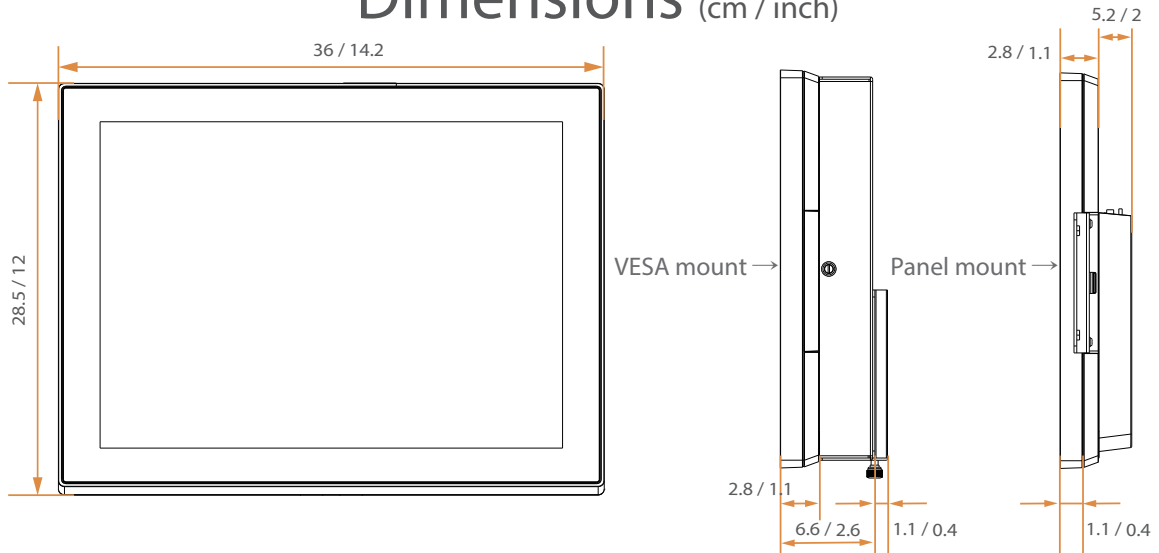
Option

Model Name		Dynasty PPC	
Main Board	Main Board Name	X7E	
	CPU	Intel® Braswell SoC processor: Pentium® N3700 (14nm, 2M Cache, up to 2.40 GHz) Pentium® N3710 (14nm, 2M Cache, up to 2.56 GHz) Celeron® Processor N3160 (2M Cache, up to 2.24 GHz)	
	System Memory	SO-DIMM DDR3L 1333/1600MHz x 1, Max. 8GB	
	Graphic	Intel® HD Graphics	
	Cooling Solution	Fanless conductive thermal module	
	BIOS	Phoenix uEFI BIOS	
	O.S. supported	Windows Embedded POSReady 7 (64bit only) Windows 7 Professional for Embedded Systems (64bit only) Windows Embedded 8 Industry (64bit only) Linux kernel 3.0+ & associated distributions Windows 10	
	EC	EBN-specified embedded controller	
	Display	Display Size	15" 4:3 Industrial grade panel (Option 15.6" 16:9)
		Panel backlight type	LED with 50K hours of life
Brightness		250 nits	
Resolution		1024x 768 (1366 x 768 optional for 15.6" model)	
Touch Screen		P-cap multitouch with 7H hardness cover lens	
Front panel type		True flat bezel free with IP65 compliant	
Tilting Angle		20°~60°	
Storage Device	Interface	SATA-3 (6.0Gb/s) x 2	
	HDD or SSD	mSATA slot x 1 (for SSD) 2.5" HDD or SSD (Option) x 1	
Indicators		Power	
Wireless Connectivities	Dual Band WiFi & Bluetooth	Intel AC3160 802.11 ac/a/b/g/n Wireless LAN with BT4.0 combo, half size mini PCIE type	
	Serial	Serial Port x 6, DB-9 Pin9 with RI/5V/12V selectable by BIOS. COM 1: RS-232, RJ-50 with convert to DB-9 cable COM 2: RS-232, RJ-50 with convert to DB-9 cable COM 3: RS-232/422/485 selectable by BIOS, RJ-50 with convert to DB-9 cable COM 4: RS-232, RJ-50 with convert to DB-9 cable COM 5: RS-232, Internal reserved for 2x20 VFD Customer Display COM 6: RS-232, Internal reserved	
I/O Ports	USB	USB 3.0 x 2 USB 2.0 x 2	
	PUH (Power USB Hub) module	24V PoweredUSB x 1 12V PoweredUSB x 2 USB2.0 x 2 24V DC-out x 1 External 120W 24V DC adapter	
	Giga LAN	Gigabit Ethernet by RJ-45 x 2, support Wake on LAN	
	Cash Drawer	RJ-12 x 1, support 12V / 24V DC cash drawer	
	Audio	2W Speaker x 1	
	Display Port	mini DP x 1 Option: Cable @ DP-to-VGA, DP-to-DVI, DP-to-HDMI	
	DC-in	19~24V DC input, Radio jack x 1	
	Others	Mounting mechanism	Support VESA Mount Panel-mounting and Rear-mounting bracket
		Power Supply	External 65W 19V DC Option: External 120W 19V DC
		Color	Titanium-Black, Titanium-White; Gold-Black, Gold-white, Titanium-colors With standard powdered painting finishing, optional in electroplated with hairline finishing
Ingress Protection		IP65 @ front panel	
Material		Aluminum-Zinc Alloy	
Certifications		CE / FCC / WEEE / RoHS / VCCI / CCC	
Dimension (WxDxH)		36 x 5.2 x 28.5 cm (14 x 2 x 12 inch)	
Net Weight / Gross Weight		4.6 kg ,10.2 lb / 5.6kg, 12.4 lb	
Environmental Conditions	Operating Temperature	With extended temperature SSD/mSATA/RAM/Adapter : -20 ~ 60°C (-4 ~ 140°F) with 0.7m/s air flow With standard system configurations: 0 ~ 50°C (32 ~ 122°F) with 0.7m/s air flow	
	Storage Temperature	-40 ~ 85° C (-40 ~ 185° F)	
	Relative Humidity	95% @ 40°C (104°F), non-condensing	

I/O



Dimensions (cm / inch)



Ordering information

Main Unit

Part No.	Description
DNPPC70P-5BT-N3700	Fanless Touch PPC Terminal w/ 15" TFT LCD, Intel® Pentium N3700 2.40 GHz, Black / Titanium
DNPPC70P-5WT-N3700	Fanless Touch PPC Terminal w/ 15" TFT LCD, Intel® Pentium N3700 2.40 GHz, White / Titanium
DNPPC70P-5BT-N3710	Fanless Touch PPC Terminal w/ 15" TFT LCD, Intel® Pentium N3710 2.56 GHz, Black / Titanium
DNPPC70P-5WT-N3710	Fanless Touch PPC Terminal w/ 15" TFT LCD, Intel® Pentium N3710 2.56 GHz, White / Titanium
DNPPC70P-5BT-N3160	Fanless Touch PPC Terminal w/ 15" TFT LCD, Intel® Celeron® Processor N3160 2.24 GHz, White / Titanium
DNPPC70P-5WT-N3160	Fanless Touch PPC Terminal w/ 15" TFT LCD, Intel® Celeron® Processor N3160 2.24 GHz, White / Titanium

Housing Std. Color Plan	Front panel Std. Color Plan
Housing Optional Color Plan	Front panel Optional Color Plan

EBN

EBN Technology Corp.

10F, No.90, Sec.1, Xintai 5th Rd., Xizhi Dist.,
New Taipei City 221, Taiwan (R.O.C.)

TEL: +886-2-2696 9292

FAX: +886-2-2696 9393

E-mail: sales@ebn.com.tw

www.ebn.com.tw



Be nice for our earth. It was printed with soy ink