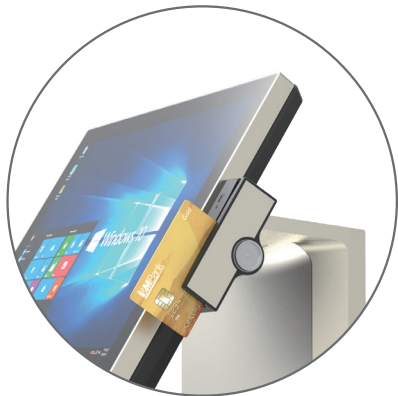
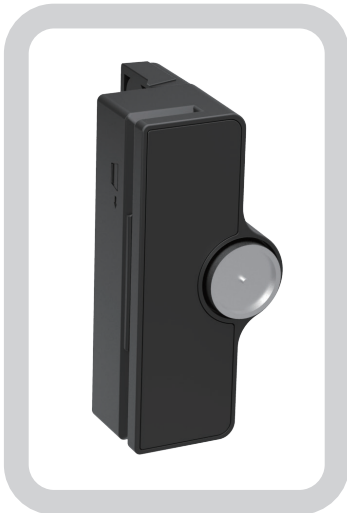


Peripheral

MSR

iButton Combo



Specification

Function	Specdescription
Standard	ANSI/ISO 7810, 7811-1/6
Recording Method	Two-frequency coherent phase (F2F)
Decoding Method	ISO: Track1 - IATA, Track2 - ABA, Track3 - THRIFT
Card Swiping Direction	Bi-directional
Interface	USB
Power Supply	DC 5V, though USB Interface Cable
Power Consumption	15mA max
Card Swiping Speed	5 to 60 ips (7.6 to 190.5 cm/s)
Life	Head: 1,000,000 passes
iButton Decode (optional)	Supports decode ID code of all iButtons conforming to Dallas Semiconductor® 1-wire protocol.
Housing Color	Black
iButton Cover Decoration	Black, Titanium
Dimension (WxDxH)	3.6 x 4.8 x 10.1 cm (1.4 x 1.9 x 4 inch)
Net Weight / Gross Weight	0.16 kg (0.4 lb) / 0.26 kg (0.6lb)

Key Dimension (cm/inch)

